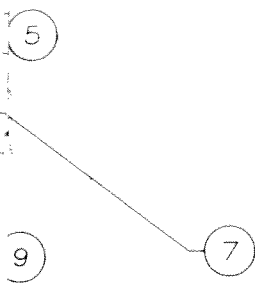


NOTE: ALL VESSELS PASSIVATED AT THE FACTORY PRIOR TO SHIPMENT



ORDER

E-512-90A

INVOICE NO. LF83422 QUOTE NO. 83422 A (90)

SOLD TO: PEPSI-COLA BOTTLING SHIPPED TO: PEPSI-COLA BOTTLING

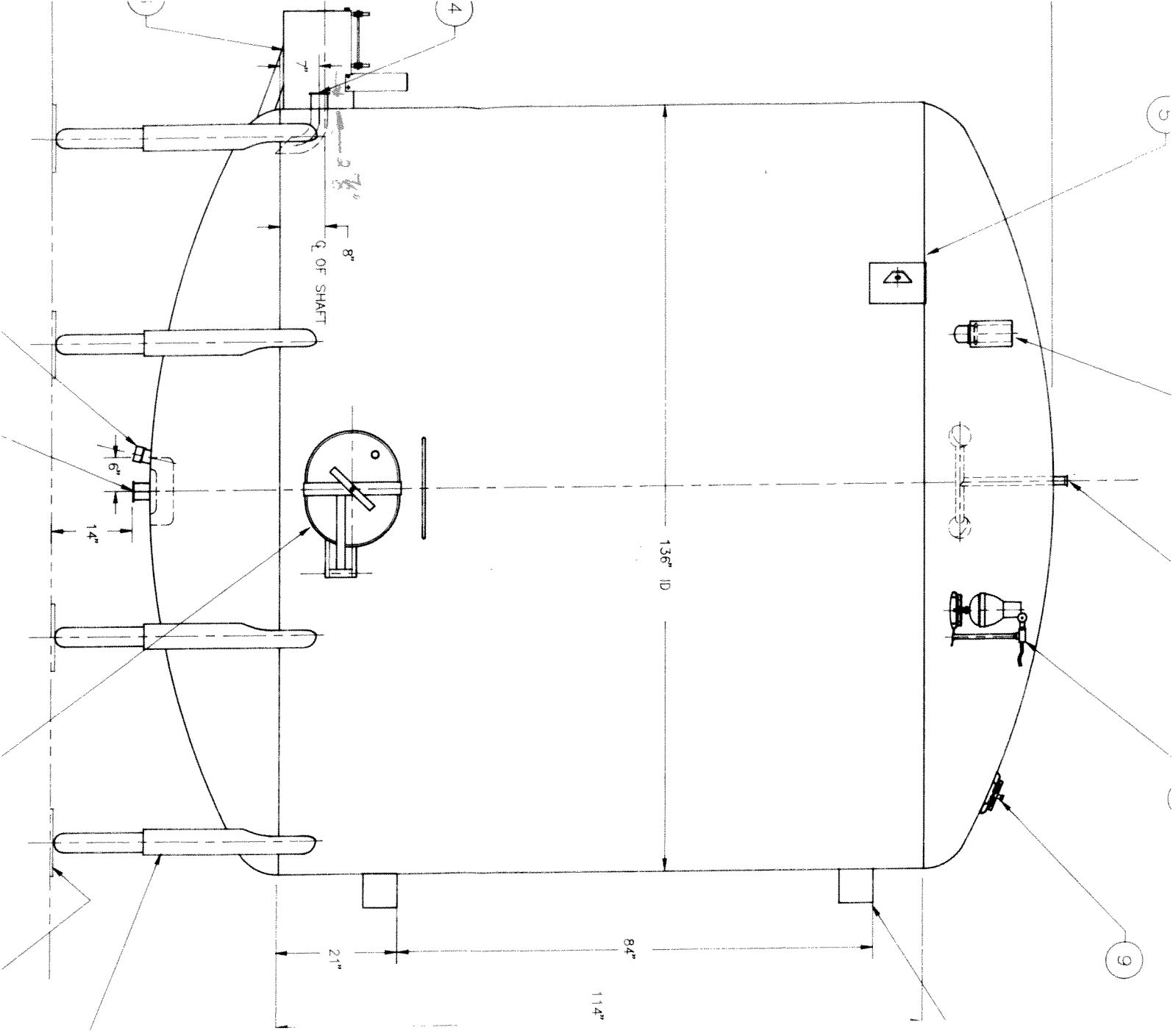
7995 ARMOUR STREET 7995 ARMOUR STREET
SAN DIEGO, CA 92111 SAN DIEGO, CA 92111

CHANGE MANUALLY

By	DATE	DESCRIPTION	PLOT #3 ASSEMBLY NO.
MAW	12/19/90	FINAL ASSEMBLY 8000gal. x 136" I.D. CVD STORAGE-TANK	REVISION 2 E-512-90A

db CHERRY-BURRELL
AMCA
INTERNATIONAL
CHERRY-BURRELL CORPORATION
875 E. MILL STREET
LITTLE FALLS, NY 13366-1028

SCALE: 3/4" = 1ft.



R: (2) 8000 GALLON VERTICAL SINGLE SHELL 'OVD' STORAGE TANKS
 FOR BEVERAGE SYRUP
 (RATED CAPACITY IS TO THE TOP HEAD SEAM)

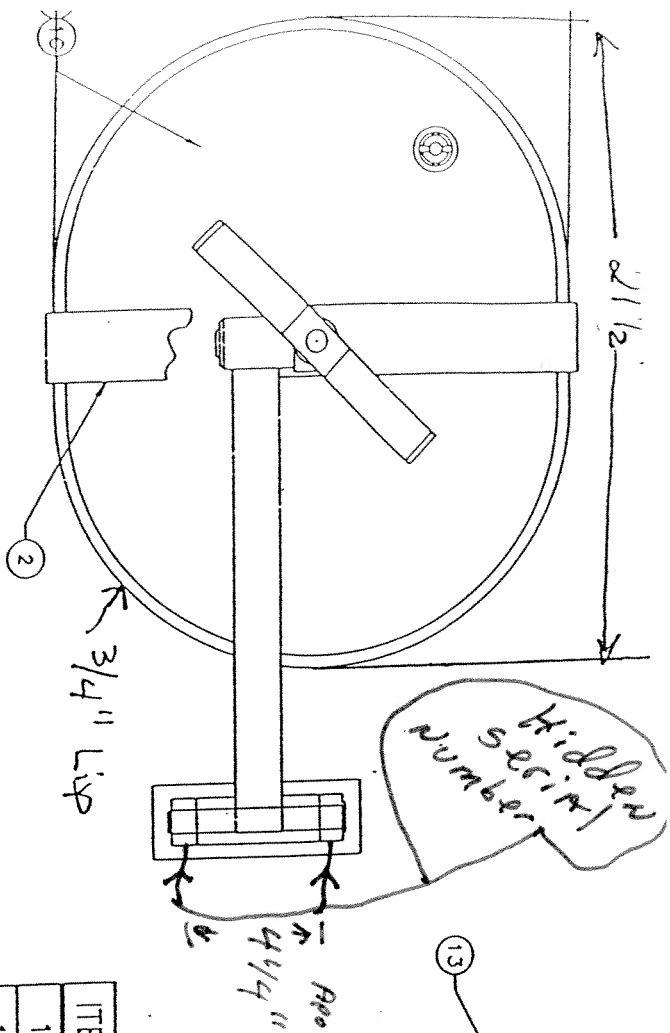
SEISMIC ZONE 4
 136" ID x 114" STRAIGHT SIDE x APPROX. 177" OVERALL HEIGHT
 TO THE TOP OF THE TANK

TYPE: 304 SS, #4 FINISH INSIDE AND OUTSIDE
 SHELL - 12 GA.
 ASME TOP HEAD - 10 GA.
 ASME BOTTOM HEAD - 10 GA.

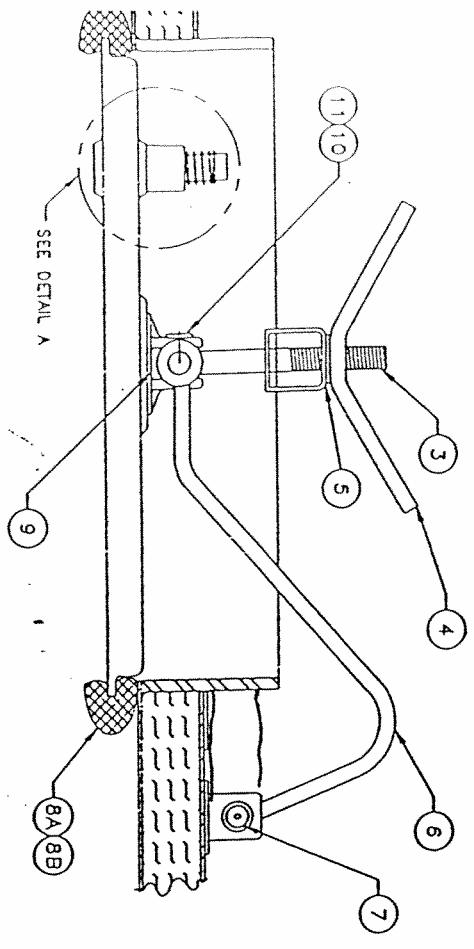
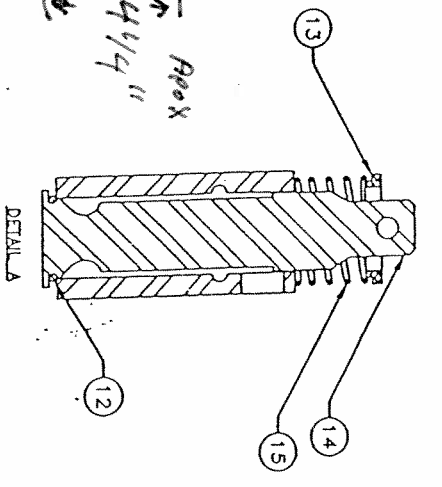
PRODUCT CONTACT SURFACES (T304 SS), UNLESS OTHERWISE SPECIFIED.
 INTERNAL AND EXTERNAL WELDS GROUND AND POLISHED - 150 GRIT MIN.
 NOTE: - SCOTCH BRITE WELD FINISH OUTSIDE ON LIFTING LUGS
 AND MANHOLE HARDWARE.

QTY	DESCRIPTION
1	MANHOLE: 16" x 20" IN THE SIDEWALL WITH SAMPLE VALVE T304 SS HAND GRIP OVER THE MANHOLE DOOR
1	VENT: STD. 3" SCREEN IN THE TOP HEAD
1	OUTLET: 3" 'S' CONN. CENTER BOTTOM - (LESS VALVE) 14" OUTLET HEIGHT FROM THE FLOOR TO THE BOTTOM OF THE OUTLET FERRULE
1	INLET: 3" 'S' CONN. WELDED IN THE LOWER SIDEWALL WITH 90 DEG INTERNAL ELBOW
2	LIFTING LUGS: T304 SS
1	AGITATOR: HORIZONTAL WITH 28" DIA. LIGHTNIN A-310 IMPELLER 5 HP SINGLE SPEED MOTOR, OPER. @ 255 RPM 230/460/60/3 - (LESS SWITCH) ANTI-SWIRL BAFFLE WELDED IN OVER THE OUTLET NOTES: - AGITATOR DESIGNED FOR BEVERAGE SYRUP WITH A MAX VISCOSITY OF 50 CPS AND 1.2 SPECIFIC GRAVITY - BLEND TIME WITH (1) AGITATOR APPROXIMATELY 45-55 MINUTES
2	ACCESS LADDER CLIPS: T304 SS
1	SPRAY UNIT CONN.: (SB-1) WELDED IN THE TOP HEAD WITH 1+1/2" 'S' CONN. (360 DEG SPRAY PATTERN) NOTE: DUAL SPRAY BALLS - 80 GPM FLOW RATE AT 25 PSI SUPPLY PRESSURE
1	SIGHT GLASS: IN THE TOP HEAD
1	SIGHT GLASS: WITH LIGHT FIXTURE IN THE TOP HEAD
1	LEVELMATIC(SHELL ONLY) WITH CAPSULE NUT - LESS TRANSMITTER AIR PAC AND MANOMETER
8	LEGS: WITH ADJUSTABLE SPUN BALL FEET - T304 SS WITH (1/2" x 12" x 12") FLOOR PLATES - (SHIPPED LOOSE)

NOTE: ALL VESSELS PASSIVATED AT THE FACTORY PRIOR TO SHIPMENT



Hidden Serial Number



ITEM	QTY	P/N	DESCRIPTION
1A	1	6021130	MANHOLE DOOR, LESS SAMPLE VALVE
1B	1	6021132	MANHOLE DOOR, WITH RIGHT HAND SAMPLING VALVE
1C	1	6021131	MANHOLE DOOR, WITH LEFT HAND SAMPLING VALVE
2	1	4026725	CROSS ARM
3	1		HINGE POST 2501025-1
4	1		HANDLE 2501024-1
5	1		
6	1	8009262	HINGE ARM
7	1	1025279	PIN ASSEMBLY
8A	1	4026229	GREY RUBBER GASKET
8B	1		
9	1		
10	1	1024590	PIN
11	1	1959003	CLIP
12	1	Z01115	'O' RING, #116 RED SILASTIC
13	1	1024463	COLLAR, SAMPLE VALVE
14	1	4025447	'O' RING PLUG ASSEMBLY
15	1	2044400	SPRING

16 X 20 MANWAY CB STYLE

**6021131-4 MANWAY DOOR WITH SAMPLE VALVE
\$950.00**

4026725 CROSS ARM \$70.00

2501025-1 HINGE POST \$82.00 ACME THREAD

20501024-1 HANDLE \$99.00 ACME THREAD

8009262 HINGE ARM \$225.00

1025279 PIN \$20.00

4026229G MANWAY GASKET GRAY RUBBER \$72.00

4026229E MANWAY GASKET EPDM \$143.00

4026229V MANWAY GASKET VITON \$285.00

1024590 PIN \$26.00

1959003 CLIP \$3.00

SAMPLE VALVE PARTS

Z01115 ORING \$1.00

1024463 COLLAR \$33.00

4025447 SAMPLE PLUG \$65.50

2044400 SPRING \$11.25

**HINGE POST AND HANDLE
FOR 16 X 20 MANWAY
CHERRY BURRELL AND FELDMEIER**

PART NUMBER 4025509

THIS WAS THE OLD STYLE HINGE POST THEY HAD A ¾" X 10 NC STANDARD
BOLT THREAD

THESE ARE OBSOLETE

PART NUMBER 4030527 HANDLE
THIS WAS THE OLD STYLE HANDLE AGAIN WITH A ¾" X 10 NC
STANDARD BOLT THREAD

THESE ARE OBSOLETE

THE NEW HINGE POST IS PART NUMBER 2501025-1 **ACME THREAD**

THE NEW HANDLE PART NUMBER 2501024-1 **ACME THREAD**

**THE ACME THREAD VERSION WILL NOT INTER MIX WITH
THE OLD STYLE THEY MUST BE PURCHASED IN PAIRS.**